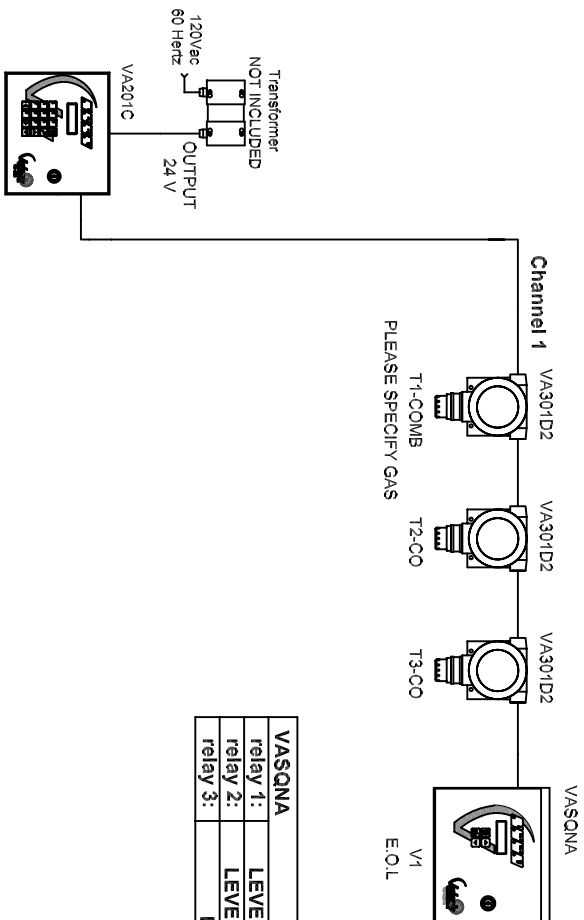


NETWORK DIAGRAM



VASQNA	V1
relay 1:	LEVEL ALARM A
relay 2:	LEVEL ALARM B
relay 3:	FAULT

VA201C	
relay 1:	LEVEL ALARM A
relay 2:	LEVEL ALARM B
relay 3:	FAULT

See the wiring details on the sheets included.

Consult the user guide to complete the information.

The Vulcain products must be easy to access for their maintenance.

Type of gas:	CO	COMB - PLS SPECIFY	25%						
Alarm level A	35 PPM								
Alarm level B	200 PPM		50%						

Project:	ACCARDI
Client:	ACCARDI
Drawing number:	107941
Rev.:	
Drawn by:	CG
Date:	NOV.9, 2004
# Command:	N/A
Page:	(1/1)

4005 Matte, Local G.
Brossard, Québec,
J4Y 2P4
Tel.: 1-800-563-2967
Fax.: 1-888-967-9938
www.vulcaininc.com